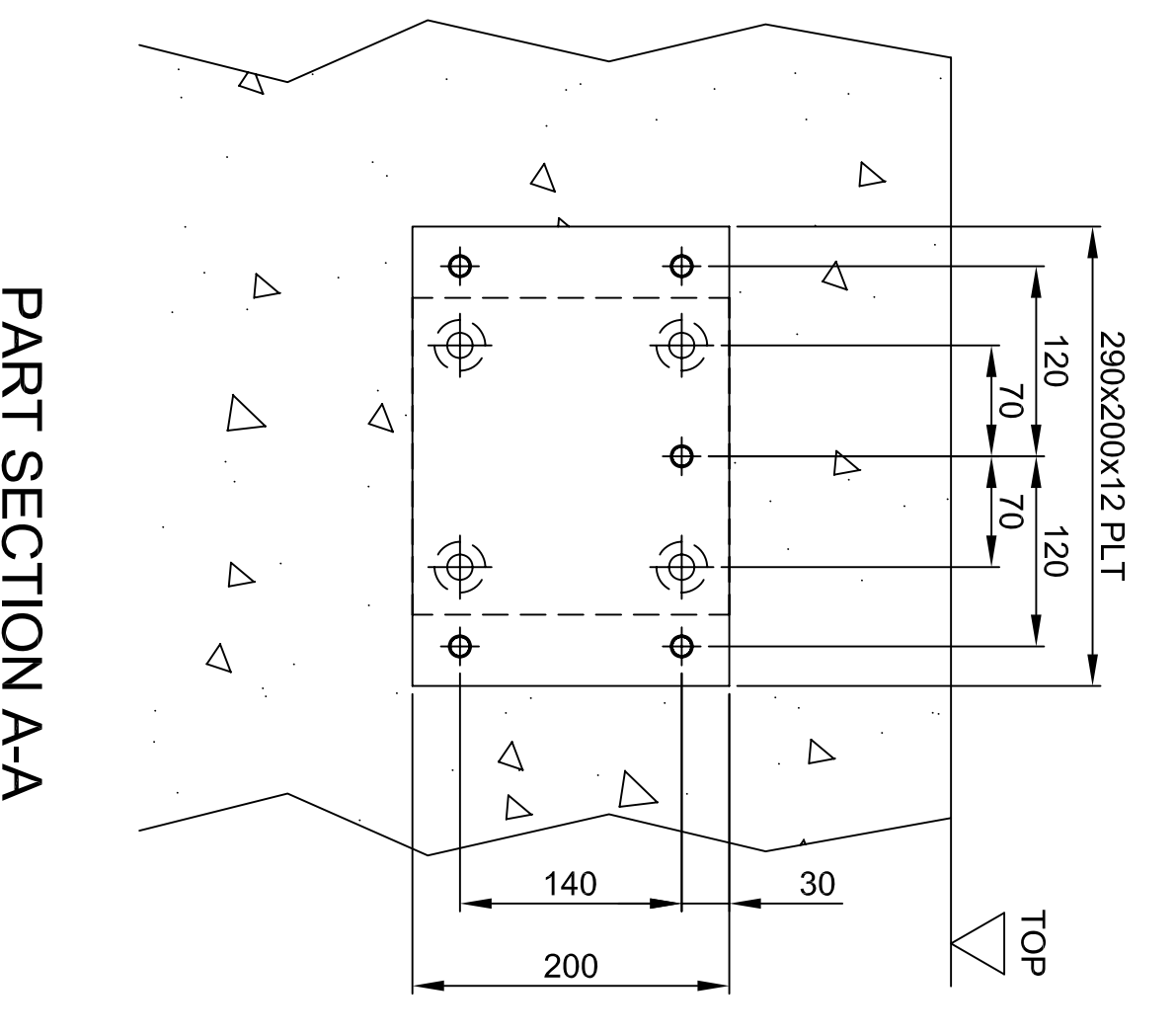
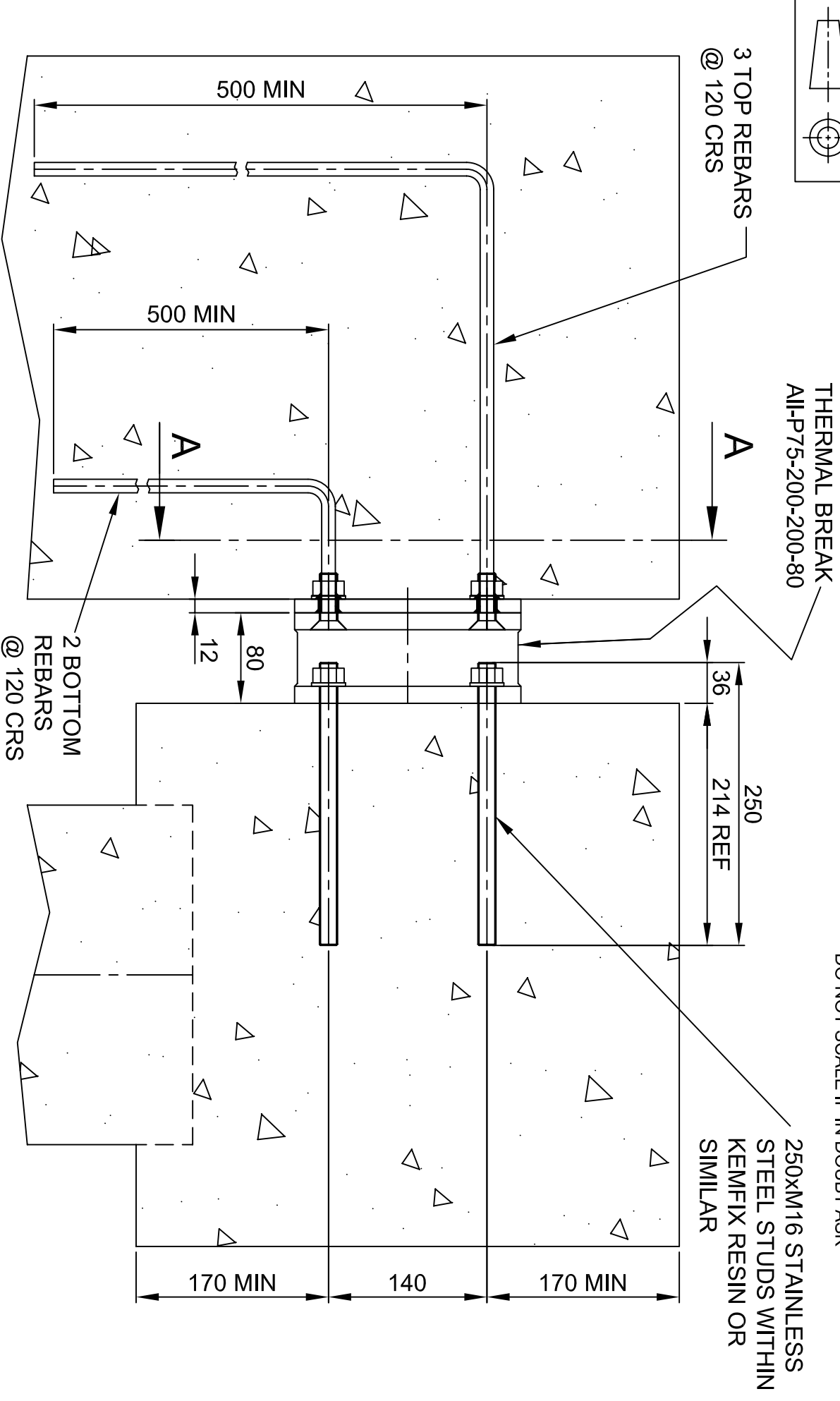


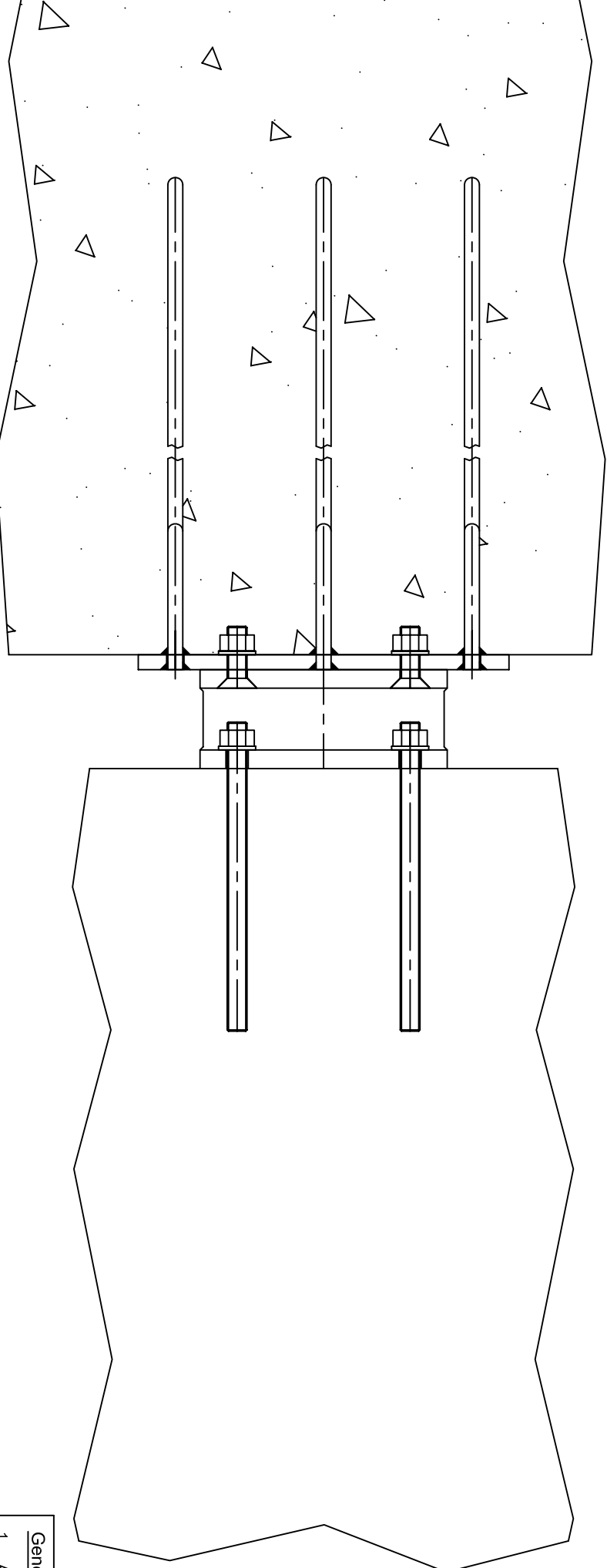


DO NOT SCALE IF IN DOUBT ASK



**PART SECTION A-A**

- NOTE.**
1. THREE TOP REBARS SUPPLIED 1000 LONG, TWO BOTTOM REBARS 700 LONG, ALL GRADE 8.8 EQUIVALENT AND BENT TO SUIT ON SITE (CUSTOMER REF MAX 70KN SHEAR LOAD ONLY AT EACH ASSEMBLY)
  2. M16x50 SOCKET CSK HEAD BOLTS GRADE 10.9 C/W HARDENED WASHERS
  3. ON SITE PLASTIC NUT CAPS ARE TO BE FITTED & THERMAL JACKETS TAPED INTO POSITION OVER ALL THERMAL BREAK ASSEMBLIES



**PART PLAN VIEW**

This drawing and the copyright therein are the property of Archtechnik Ltd, and all information which it contains is confidential. This drawing must not be reproduced or disclosed, nor must any information taken therefrom be

General Notes				
1.	ALL DIMENSIONS ARE IN MILLIMETRES UNLESS OTHERWISE STATED.			
2.	GENERAL TOLERANCE IS $\pm 2$ mm UNLESS OTHERWISE STATED.			
3.	REMOVE ALL BURRS AND SHARP EDGES.			

**Archtechnik Ltd**  
 Hathern Industrial Estate, Rempstone Road,  
 Normanton-on-Soar, Leicestershire, LE12 5EW  
 Tel 0870 4604831 Fax 0870 4604832

CONTRACT :- TEMPLEWOOD AVENUE AT CONSTRUCTION

TITLE :- THERMAL BREAK CONNECTION ASSEMBLY TO PILED CONCRETE STRUCTURE

DRAWN	DATE	CHECKED	DATE	SCALE
DRAWN JS	DATE 18.08.07	CHECKED	DATE	SCALE 1:4

DWG. No. 00776 REV. -